



IMAS GROUP
REAL QUALITY MADE IN ITALY



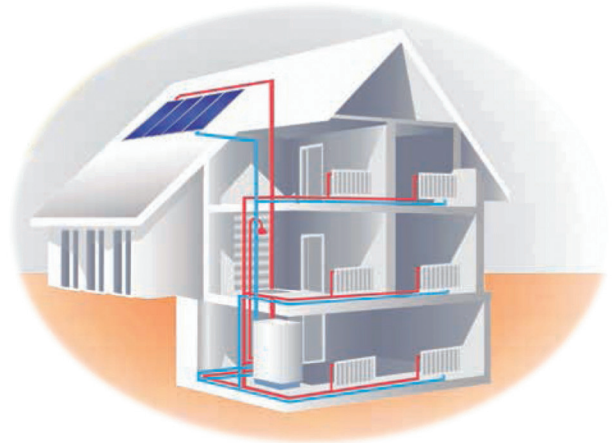
CIRCULATION PUMP IM-E



With over 50 years of experience on the market, IMAS company offers you highly advanced equipment, including all the essential components of a modern heating installation.

We manufacture products in the following areas:

- ◆ **pumping technology**
- ◆ **control technology**
- ◆ **drive technology**
- ◆ **mixing technology**
- ◆ **fittings**



PUMPING TECHNOLOGY

Due to the diversity of nominal diameters, body lengths and speeds our extremely versatile pumps meet special requirements of the market. The pumps have been designed to pump warm water in central heating systems, however they can be used to pump liquid media in industrial and commercial usage. The devices can also be used in solar installations.

All of our circulation pumps share a few common traits:
cutting-edge technology, high quality and other advantages.

IMAS company uses cathaphoretic coated cast iron and chromium-nickel steel, which are well-known for their extended durability and versatility. Each pump is delivered with insulation.

Essential features of the product

Mounting

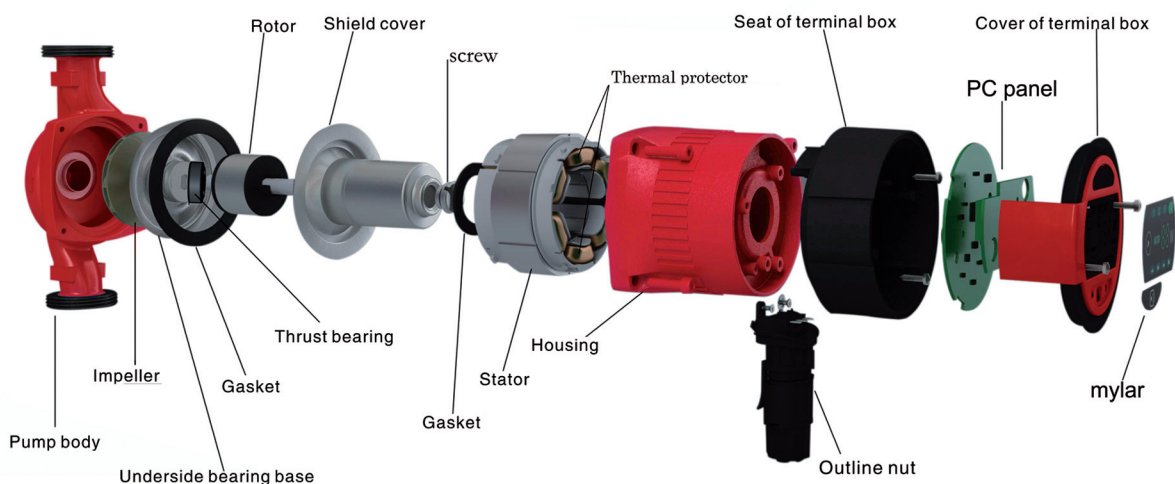
- easy mounting thanks to a handy socket
- pump body equipped with a flat gasket

Adjusting

- perfectly suited to the system needs thanks to a user-friendly control system
- useful lines (characteristics)

Operating

- silent running
- low energy consumption
- high reliability



<u>IM-E (4-6)</u>	3
<u>IM (4-6-8) Aqua pump brass</u>	4
<u>CP 15-1.5</u>	5

Energy-saving IMAS pumps

In an average household conventional pumps contribute to about 10-15% of total energy consumption. Using an energy-saving IMAS pump helps to reduce energy consumption up to 80%. Compared to a conventional pump, the hydraulic power is almost the same.

operating voltage	1 x 230V 50Hz
protection type	IP 42
ambient temperature	0°C - 40°C
media temperature	5°C - 110°C (d.h.w. UPH 15: up to 65°C)
temperature class	TF 110 according to CEN 335-2-51
system pressure	max. 10 bar
permissible media	heating water (according to the VDI 2035 requirements) water-glycol mixture (1:1 max.); (while using an additive of 20% or higher, you need to verify pumping data)
fittings	pipe union

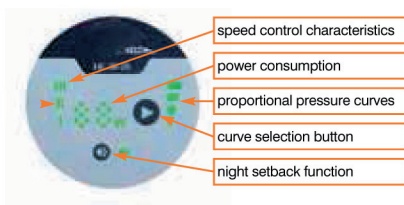
Product advantages

- high efficiency thanks to the ECM technology
- energy-saving pump intended for single-family and two-family as well as multi-family houses (up to six families)
- min. power consumption is 3 W
- various control modes of the following parameters: delta of p-c (constant differential pressure) and delta of p-v (variable differential pressure)
- integrated motor protection
- a pump head can be mounted on almost any pump body of earlier series.

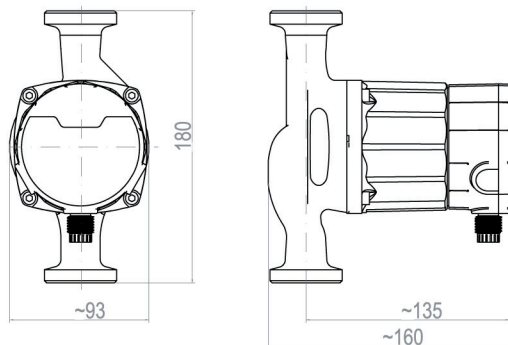
IME XX-4

IME XX-6

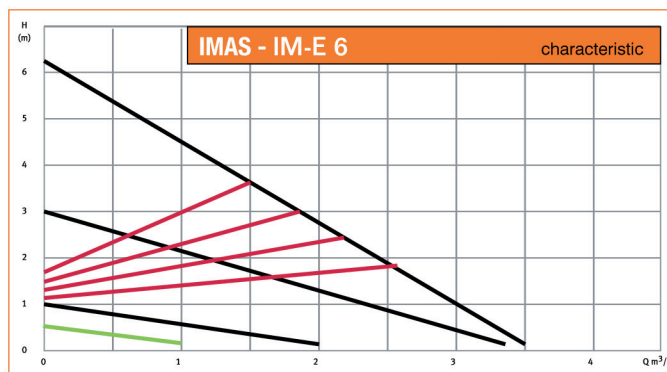
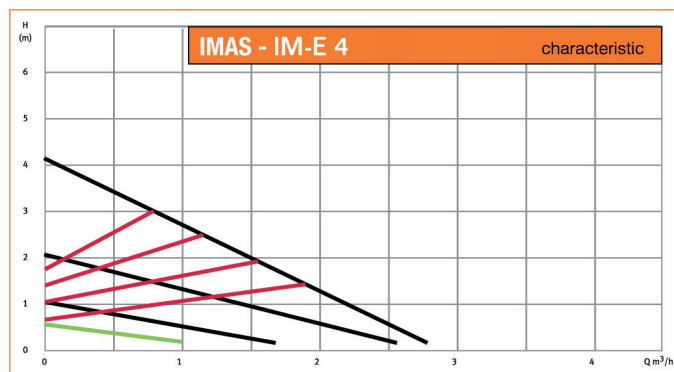
The "One touch" option allows you to choose from seven different performance curves. Aside from four proportional pressure curves there are three constant speed control characteristics. Pumps are equipped with a night setback function, which is switched on automatically after the installation temperature drops for a particular amount of time. Moreover, it reduces power consumption. The LED display shows the current power consumption, the selected constant speed control characteristic and the night setback function status.



Technical data



	IM-E 4	6
max. lifting height	4.0 m	6.0 m
max. flow	2.600 l/h	3.200 l/h
power consumption P1(W)	3-23	3-38
control function	3 constant speed control characteristics 4 proportional pressure curves	
operating voltage	1 x 230V 50Hz	
motor protection	external protection is not required	
protection type	IP 42	
ambient temperature	0°C - 40°C	
media temperature	5°C - 110°C	
temperature class	TF110 according to CEN 335-2-51	
max. operating pressure	10 bar	
connection	DN 15, DN 20, DN 25, DN 32	
body length	110 mm, 130 mm, 180 mm	
weight	about 2.46 kg	
EEl	<= 0.20	
thermal protector	included	



Aqua Pump

The pump has been designed for drinking water circulation systems and similar systems used in industry and building technology.

This domestic water pump can be used in single-family and two-family houses.

In order to prevent water from going back to the pump, it is necessary to mount the check valve on the pump delivery side.

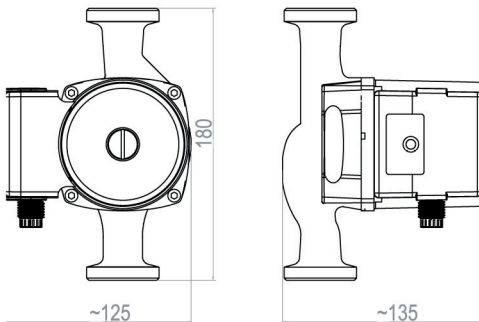
Whereas the ball valve should be mounted on the pump suction side to make maintenance easier.

The "One touch" option allows you to choose from three different performance curves. The button highlight color indicates the selected characteristic.

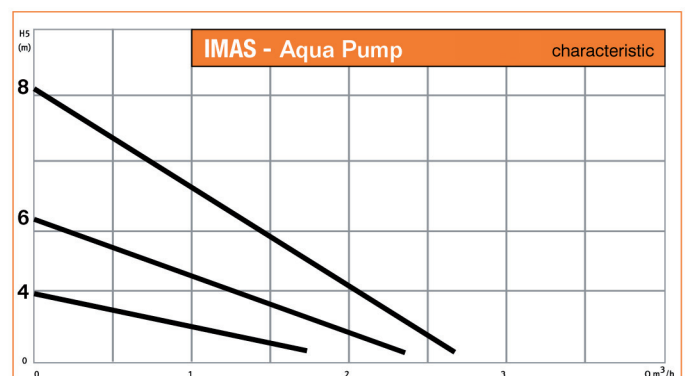
Green: the lowest speed; yellow: medium speed; red: the highest speed. These options allow you to adjust the pump performance to your needs.



Technical data



IMAS	Aqua Pump
protection type	IP 42
motor protection	none, the product is short-circuit-proof
marking	CE
number of speeds	3
power consumption	3-23W
max. lifting height	4 m 6 m 8 m
max. flow	2.600 l/h
max. operating pressure	10 bar
motor casting	aluminum
rotor shaft	ceramic
wear ring (rotor)	engineering polymer
media temperature	5°C - 110°C
ambient temperature	0°C - 40°C
pump body	brass
thermal protector	included



CP 15-1.5

The pump has been designed for drinking water circulation systems and similar systems used in industry and building technology.

This domestic water pump can be used in single-family and two-family houses.

In order to prevent water from going back to the pump, it is necessary to mount the check valve on the pump delivery side.

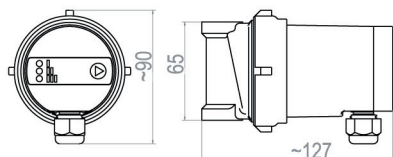
Whereas the ball valve should be mounted on the pump suction side to make maintenance easier.

The "One touch" option allows you to choose from three different performance curves. The button highlight color indicates the selected characteristic.

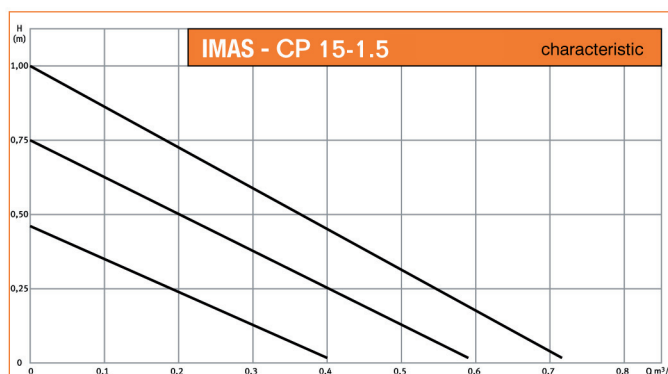
Green: the lowest speed; yellow: medium speed; red: the highest speed. These options allow you to adjust the pump performance to your needs.



Technical data



CP	15-1.5
protection type	IP 42
motor protection	none, the product is short-circuit-proof
marking	CE
number of speeds	3
power consumption	2.5-8.0 W
max. lifting height	1 m
max. flow	800 l/h
max. operating pressure	10 bar
motor casting	aluminum
rotor shaft	ceramic
wear ring (rotor)	engineering polymer
media temperature	65°C
ambient temperature	0°C - 40°C
pump body	brass





IMAS GROUP
REAL QUALITY MADE IN ITALY

NUOVA IMAS Srl

31020 San Zenone degli Ezzelini (TREVISO) ITALY - Street Roma, 163 - Tel. +39 0423 968402 - Fax +39 0423 567216
info@imasradiators.com - www.imasradiators.com